



12-Bit, 170 MHz, Video and Graphics Digitizer with Quad HDMI Receiver

ADV7604

FEATURES

Three 12-bit ADCs

- ADC sampling rates up to 170 MHz
- 12-channel analog input mux
- 525i/625i component analog input
- 525p/625p component progressive scan support
- 720p/1080i/1080p/1250i component HDTV support
- Digitizes RGB graphics up to 1600 × 1200 at 60 Hz (UXGA)

VBI data slicer (including teletext)

Simultaneous HDMI and analog video sync processing

Ultralow jitter digital PLL

4:1 multiplexed HDMI receiver

HDMI 1.3a support

- 36-/30-/24-bit deep color support
- Flexible audio interface (DSD, DST, Dolby® TrueHD, DTS®-HD master audio, and DTS-HD high resolution audio)

225 MHz HDMI receiver

Repeater support

High-bandwidth digital content protection (HDCP 1.3)

Programmable/adaptive equalizer for cable lengths up to 30 meters

Internal EDID RAM

EDID with HDMI cable power support

CEC support

General

- S/PDIF (IEC90658-compatible) digital audio output
- Highly flexible output interface
- 12-bit 4:4:4/8-bit 4:2:2 DDR pixel output interface
- Dual STDI function support standard identification
- 2 any-to-any 3 × 3 color space conversion matrixes
- 2 programmable interrupt request output pins
- Advanced sync processing for robust sync extraction of poor video sources
- AV.Link support

APPLICATIONS

Advanced TV

- PDP HDTVs
- LCD TVs (HDTV ready)
- LCD/DLP® rear projection HDTVs
- CRT HDTVs
- LCoS™ HDTVs

AVR video receivers

LCD/DLP front projectors

HDTV STBs with PVR

CRT HDTVs

DVD recorders with progressive scan input support

GENERAL DESCRIPTION

The ADV7604 is a high quality, single chip, multiformat video decoder, graphics digitizer with an integrated 4:1 multiplexed High-Definition Multimedia Interface (HDMI®) receiver.

The ADV7604 contains one main component processor (CP) that processes YPrPb and RGB component formats, including RGB graphics. The CP also processes the video signals from the HDMI receiver. The ADV7604 can operate in quad HDMI and analog input mode, thus providing simultaneous HDMI and analog video sync processing. This allows for fast switching between HDMI and the ADCs.

The ADV7604 supports the decoding of a component RGB/YPrPb video signal into a digital YCrCb or RGB pixel output stream. The support for component video includes 525i, 625i, 525p, 625p, 720p, 1080i, 1080p, and 1250i standards as well as many other HD and SMPTE standards.

Graphics digitization is also supported by the ADV7604. The ADV7604 is capable of digitizing RGB graphics signals from VGA to UXGA rates and converting them into a digital RGB or YCrCb pixel output stream.

The ADV7604 incorporates a quad input HDMI-compatible receiver that supports all HDTV formats up to 1080p and display resolutions up to UXGA (1600 × 1200 at 60 Hz). The reception of encrypted video is possible with the inclusion of HDCP. The HDMI receiver also includes programmable/adaptive equalization that ensures robust operation of the interface with cable lengths up to 30 meters. The HDMI receiver has advanced audio functionality, such as a mute controller that prevents audible extraneous noise in the audio output.

Fabricated in an advanced CMOS process, the ADV7604 is provided in a space-saving, 260-ball 15 mm × 15 mm BGA surface-mount, RoHS-compliant package and is specified over the -40°C to +70°C temperature range.

Advantiv
Advanced Television Solutions
by Analog Devices

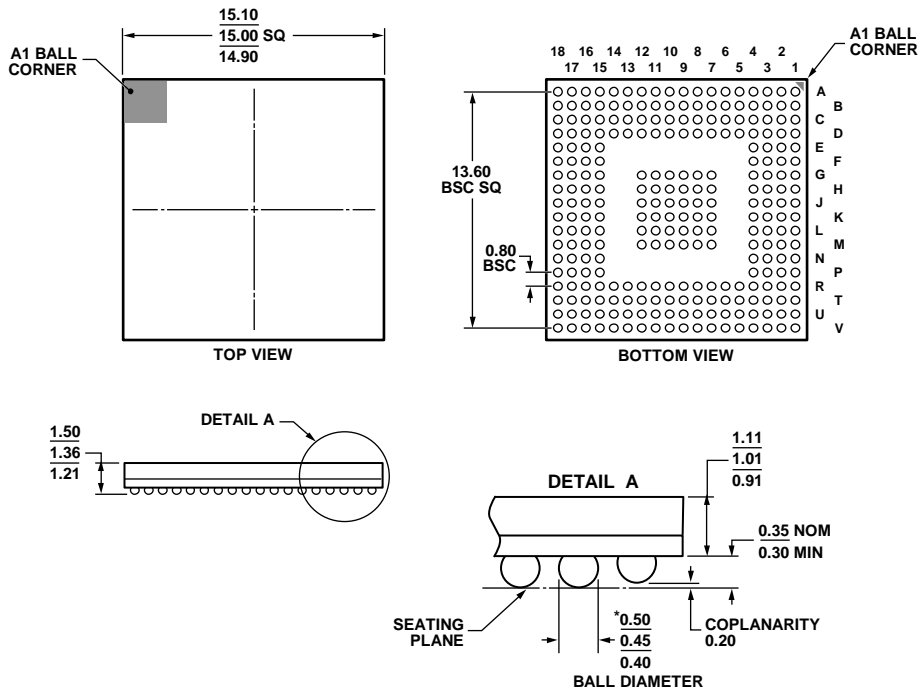
NSV
Precision Video
by Analog Devices

Rev. SpC

Information furnished by Analog Devices is believed to be accurate and reliable. However, no responsibility is assumed by Analog Devices for its use, nor for any infringements of patents or other rights of third parties that may result from its use. Specifications subject to change without notice. No license is granted by implication or otherwise under any patent or patent rights of Analog Devices. Trademarks and registered trademarks are the property of their respective owners.

One Technology Way, P.O. Box 9106, Norwood, MA 02062-9106, U.S.A.
Tel: 781.329.4700 www.analog.com
Fax: 781.461.3113 ©2009–2010 Analog Devices, Inc. All rights reserved.

OUTLINE DIMENSIONS



*COMPLIANT TO JEDEC STANDARDS MO-205-AG WITH THE EXCEPTION TO BALL DIAMETER.

Figure 1. 260-Ball Chip Scale Package Ball Grid Array [CSP_BGA] (BC-260-1)

Dimensions shown in millimeters

011509-A

ORDERING GUIDE

Model ^{1, 2, 3}	Temperature Range	Package Description	Package Option
ADV7604BBCZ-5	-40°C to +70°C	260-Ball Chip Scale Package Grid Array [CSP-BGA]	BC-260-1
ADV7604BBCZ-5P	-40°C to +70°C	260-Ball Chip Scale Package Grid Array [CSP-BGA]	BC-260-1
EVAL-ADV7604EB1Z		ADV7604BBCZ-5 Front End Evaluation Board	
EVAL-ADV7604EB2Z		ADV7604BBCZ-5P Front End Evaluation Board	

¹ Z = RoHS Compliant Part.

² The ADV7604BBCZ-5 is programmed with internal HDCP keys. Customers must have HDCP adopter status (consult Digital Content Protection LLC for licensing requirements) to purchase any components with internal HDCP keys.

³ The ADV7604BBCZ-5P is not programmed with internal HDCP keys for professional applications. Customers are not required to have HDCP adopter status.

I²C refers to a communications protocol originally developed by Phillips Semiconductors (now NXP Semiconductors).

HDMI, the HDMI Logo, and High-Definition Multimedia Interface are trademarks or registered trademarks of HDMI Licensing LLC in the United States and other countries.